



## FEATURES

**Quality** - Delivers bottle-quality drinks every time with built-in cold carbonator

**Intellicarb™** - Meets IntelliCarb™ specification

**Merchandising** - Creates high-impact marketing messages delivered with easily modified illuminated merchandiser

**Intelligent** - Automatically separates ice dispensed into cups from ice used to cool cold plate

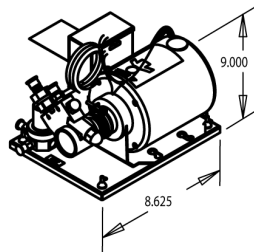
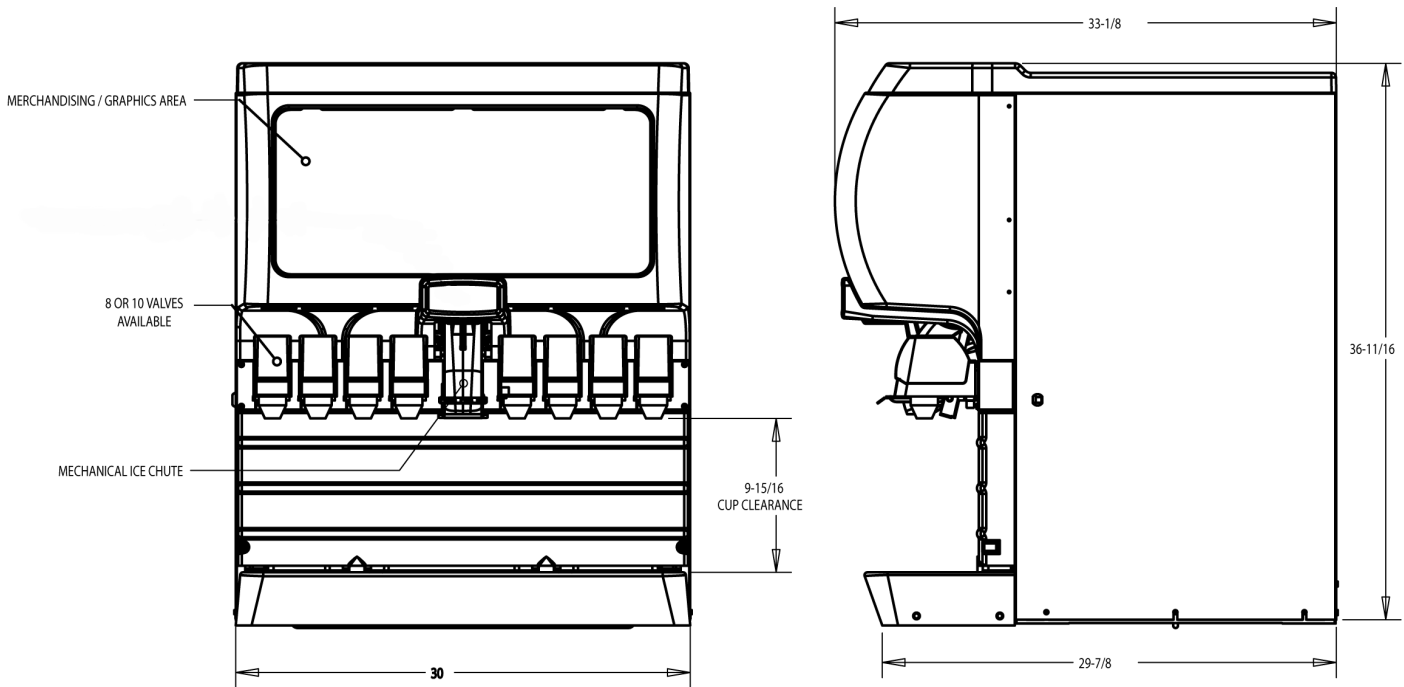
**Accommodating** - Reduces ice spillage with increased drip tray capacity

**Flexibility** - Dispenses different ice types thanks to the contour of the hopper and geometry of the beverage dispenser

**Ice system** - Readily accepts top-mounted ice makers with manual ice-fill capability

**TotalFlex™ manifold** - easily changes from carbonated to non-carbonated




**Easy to use** - Requires only one electrical outlet  
- Easy front access to carbonator tank  
- Simple motor removal



NOTE: PUMP & MOTOR ASSEMBLY  
MUST BE POSITIONED WITHIN  
8 FEET OF THE DISPENSER

PART NUMBER	DESCRIPTION
621057430	IDC215 with 8 UFB-1™ 2-4 oz Sanitary Lever valves, 115 V / 60 Hz
621057408	IDC215 with 8 UFB-1™ 2-4 oz Push Button valves, 115 V / 60 Hz
621064257	IDC215 with 10 UFB-1™ 2-4 oz Sanitary Lever valves, 115 V / 60 Hz
621065270	IDC215 with 10 UFB-1™ 2-4 oz Push Button valves, 115 V / 60 Hz

## TECHNICAL SPECIFICATIONS

TYPE OF VALVES . . . . .	UFB-1™ 2-4 oz / sec post-mix	CONNECTIONS . . . . .	Water: 0.375" (9.5 mm) Syrup: 0.375" (9.5 mm)
NUMBER OF VALVES . . . . .	8 or 10	DRAIN SIZE . . . . .	0.75" (19.1 mm) pvc (npt) pipe or flexible tubing
BEVERAGE MANIFOLDING . . . . .	TotalFlex™	ELECTRICAL REQUIREMENTS . . . . .	115 V / 60 Hz / 9.3 Amps or 230 V / 50/60 Hz / 4.7 Amps
CUP CLEARANCE . . . . .	10"	SHIPPING WEIGHT . . . . .	350 lb (150 kg)
GRAPHIC DIMENSIONS . . . . .	(Template Available)	AGENCY LISTINGS . . . . .	   City of Los Angeles
ICE STORAGE CAPACITY . . . . .	215 lb (97.5 kg)		
STANDARD FEATURES . . . . .	Timed ice agitation, key switch and 4" legs		

Pepsi is a registered trademark of Pepsi Co, Inc.



© 2014 CORNELIUS

CP5041-0714

IN THE U.S.A.  
Ph: 800.238.3600  
Fax: 800.258.0255

OUTSIDE THE U.S.A.  
Ph: 763.488.8200  
Email: webmaster@cornelius.com

101 Broadway Street West  
Osseo, MN 55369  
www.cornelius.com

For more information or to place an order, contact your sales representative or authorized distributor.