



## ENDURO 300

POST-MIX ICE DRINK DISPENSER



## FEATURES

**Options** - Available with SFV1™ self-serve levers or push button post-mix valves

**Merchandising** - Highly efficient LED illuminated merchandiser utilizing a brighter, longer lasting bulb, providing a high impact visual display

**Flexibility** - Cold plate to valve manifolding design allows for any combination of carbonated or non-carbonated flavors

**Ice system** - Ice used to cool cold plate is separate from the ice dispensed into cups

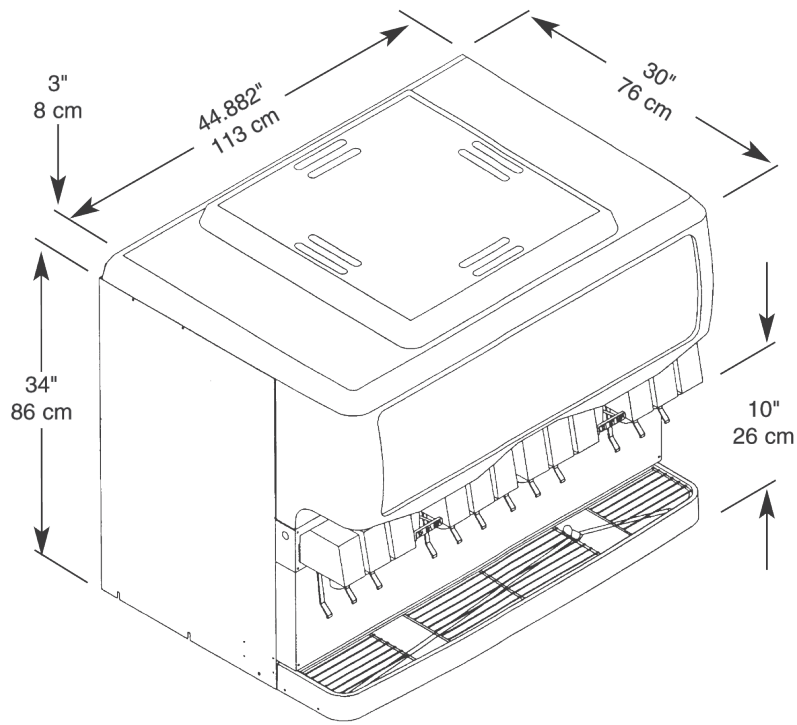
**Precision** - Gravity ice dispensing with positive shut-off provides excellent ice targeting

**Durability** - One piece ABS thermoformed plastic ice storage hopper (Durabide™ design) provides durability and ensures ice in the hopper is dispensable

**Adaptable** - Unit readily accepts top mount cubers with manual ice fill capability

**Performance** - High performance cold plate delivers against peak performance

**Accessibility** - Unit includes two separate ice dispensing chutes



PART NUMBER	DESCRIPTION
621053773	Ice Drink Dispenser with 12 SFV1™ 3 oz self serve lever valves
621053774	Ice Drink Dispenser with 12 SFV1™ 3 oz push button valves
08017	Leg kit, includes (6) 4" legs

\* If top mounting an ice maker, an ice maker adapter kit is required. Order separately.

## TECHNICAL SPECIFICATIONS

**BEVERAGE MANIFOLDING** . . . . . 8 Valve: 1-1-1-1-1-1-1-1  
 10 Valve: 1-1-1-2-2-1-1-1  
 12 Valve: 2-1-3-2-1-3  
 (right to left)

**CUP CLEARANCE** . . . . . 9.75" (24.77 cm)

**COOLING CAPACITY** . . . . . 10-12 oz drinks/min  
 @ 75°F

**DRAIN CONNECTION** . . . . . 0.75" PVC (NPT) or 1" ID  
 flexible tubing

**GRAPHIC SIZE** . . . . . Overall:  
 11.062"H x 38.985"W  
 Viewable:  
 10.249"H x 37.86"W

**STANDARD FEATURES** . . . . . Key switch,  
 timed agitation

**ELECTRICAL RATING** . . . . . 115 V / 60 Hz / 5.2 Amps

**SHIPPING WEIGHT** . . . . . 430 lb (195 kg)

**AGENCY LISTINGS** . . . . .



Coca-Cola, Coca-Cola Classic and LEV are registered trademarks of the Coca-Cola Company.

