



## ENDURO 175

### POST-MIX ICE DRINK DISPENSER



## FEATURES

**Options** - Available with 8 SFV1™ self-serve lever or push button post-mix dispensing valves

**Merchandising** - Highly efficient LED illuminated merchandiser utilizing a brighter, longer lasting bulb, providing a high impact visual display

**Precision** - Gravity ice dispensing with positive shut-off provides excellent ice targeting

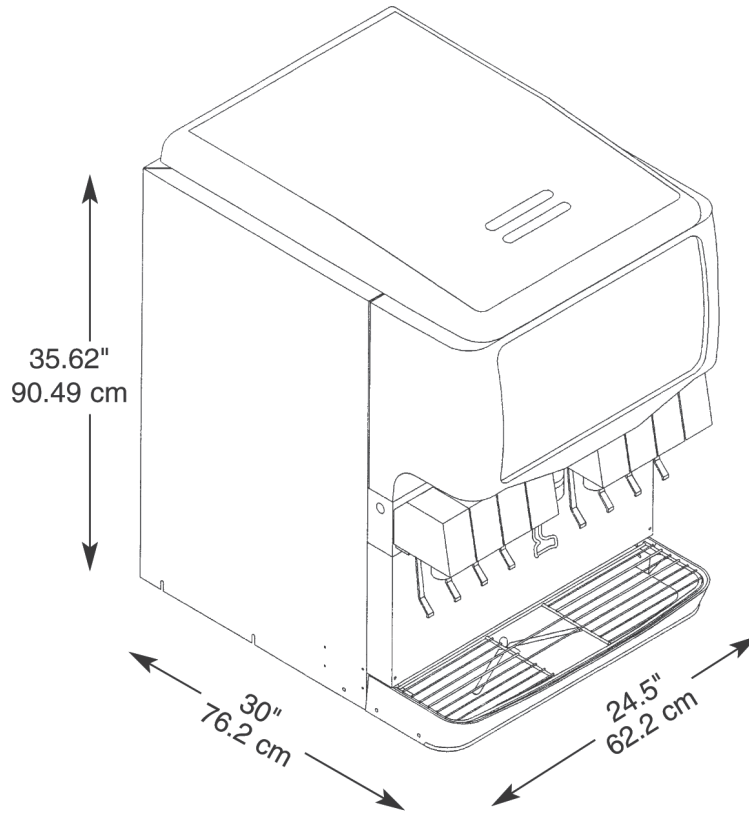
**Ice system** - Ice used to cool cold plate is separate from the ice dispensed into cups

**Durability** - One piece ABS thermoformed plastic ice storage hopper (Durabide™ design) provides durability and ensures ice in the hopper is dispensable

**Adaptable** - Unit readily accepts top mount cubers with manual ice fill capability

**Flexibility** - TotalFlex™ manifold easily changes from carbonated to non-carbonated





PART NUMBER	DESCRIPTION
621063058	Ice Drink Dispenser with 8 SFV1™ 3 oz self serve lever valves

\* If top mounting an ice maker, an ice maker adapter kit is required. Order separately.

## TECHNICAL SPECIFICATIONS

ICE STORAGE CAPACITY . . . . . 175 lb (79.38 kg)

BEVERAGE MANIFOLDING . . . . . TotalFlex™

CUP CLEARANCE . . . . . 9.75" (24.76 cm)

COOLING CAPACITY . . . . . 10-12 oz drinks/min  
@ 75°F

DRAIN CONNECTION . . . . . 0.75" PVC (NPT) or 1" ID  
flexible tubing

GRAPHIC SIZE . . . . . Overall:  
11.083"H x 19.294"W  
Viewable:  
10.608"H x 18.67"W

STANDARD FEATURES . . . . . Key switch, 4" legs,  
timed agitation

ELECTRICAL RATING . . . . . 115 V / 60 Hz / 3 Amps

SHIPPING WEIGHT . . . . . 240 lb (108.86 kg)

AGENCY LISTINGS . . . . .   

Coca-Cola and Coca-Cola Classic are registered trademarks of the Coca-Cola Company.

