



ENDURO 150

POST-MIX ICE DRINK DISPENSERS



FEATURES

Options - Available with 6 SFV1™ self serve lever or push button post-mix valves

Merchandising - Highly efficient LED illuminated merchandiser utilizing a brighter, longer lasting bulb, providing a high impact visual display

Flexibility - TotalFlex™ manifold easily changes from carbonated to non-carbonated

Ice system - Ice used to cool cold plate is separate from the ice dispensed into cups

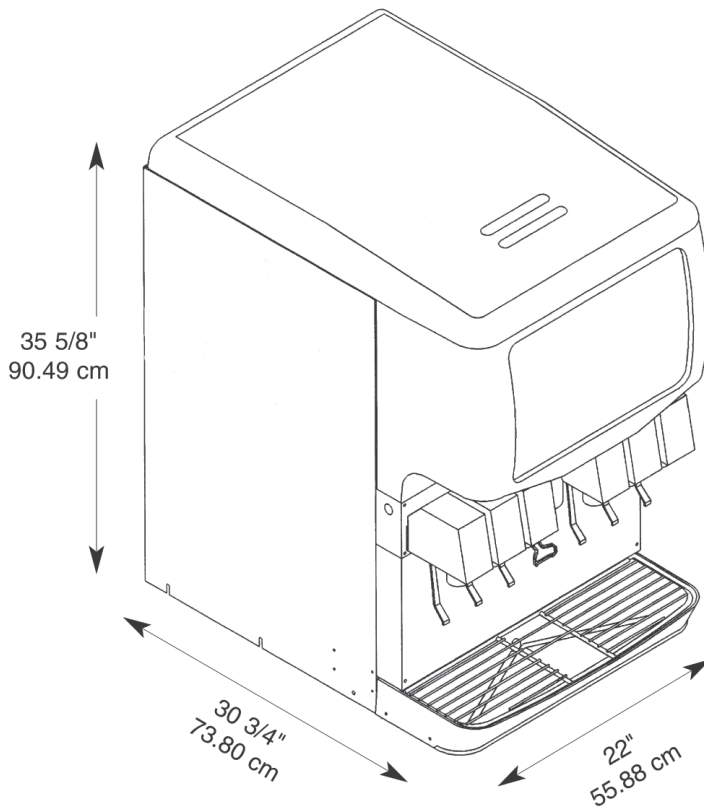
Precision - Gravity ice dispensing with positive shut-off provides excellent ice targeting

Durability - One piece ABS thermoformed plastic ice storage hopper (Durabide™ design) provides durability and ensures ice in the hopper is dispensable

Adaptable - Unit readily accepts top mount cubers with manual ice fill capability

High Performance - High performance cold plate system delivers against peak demand





PART NUMBER	DESCRIPTION
621063057	Ice Drink Dispenser with 6 SFV1™ 3 oz self serve lever valves

* If top mounting an ice maker, an ice maker adapter kit is required. Order separately.

TECHNICAL SPECIFICATIONS

ICE STORAGE CAPACITY 150 lb (68.04 kg)

BEVERAGE MANIFOLDING TotalFlex™

CUP CLEARANCE 9.75" (24.80 cm)

COOLING CAPACITY 10-12 oz drinks/min
@ 75°F

DRAIN CONNECTION 0.75" PVC (NPT) or 1" ID
flexible tubing

GRAPHIC SIZE Overall:

11.4"H x 16.6"W

Viewable:

10.608"H x 16.3"W

ELECTRICAL RATING 115 V / 60 Hz / 3 Amps

SHIPPING WEIGHT 240 lb (108.86 kg)

AGENCY LISTINGS



Coca-Cola and Coca-Cola Classic are registered trademarks of the Coca-Cola Company.



© 2019 CORNELIUS

CATC8530-0219

IN THE U.S.A.
Ph: 800.238.3600
Fax: 800.258.0255

OUTSIDE THE U.S.A.
Ph: 763.488.8200
Email: webmaster@cornelius.com

101 Broadway Street West
Osseo, MN 55369
www.cornelius-usa.com

For more information or to place an order, contact your sales representative or authorized distributor.